

4

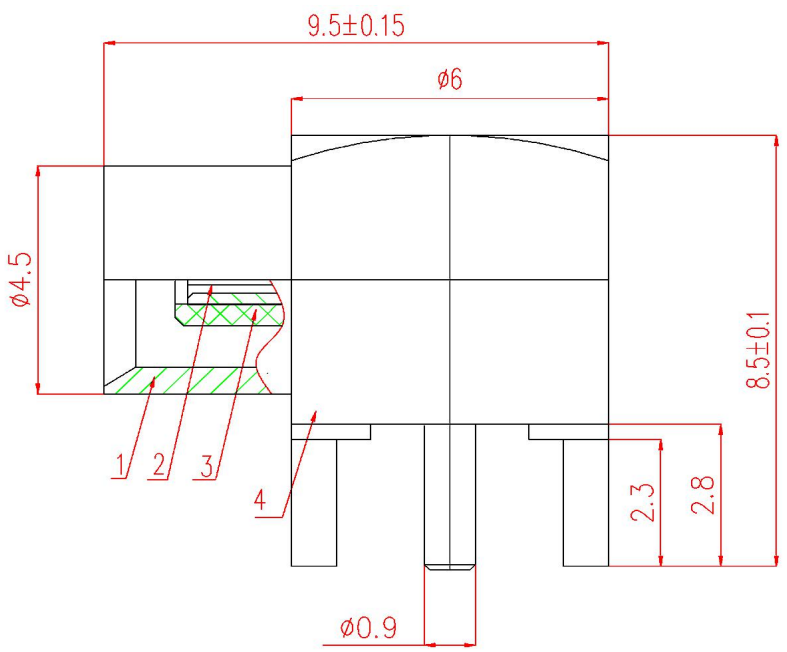
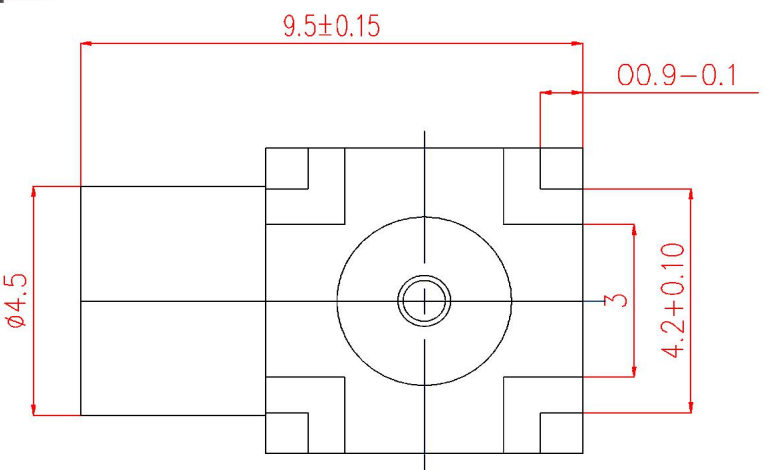
3

2

1

THIS DRAWING UNPUBLISHED.	RELEASED FOR PUBUCATION
---------------------------	-------------------------

LOC	DIST	REVISIONS					
---	---	P	LTR		DATE	DWN	APVD
			---	---	---	---	---



- NOTES:
- ELECTRICAL:
 - IMPEDANCE: 50Ω
 - INSULATION RESISTANCE: 5000M Ω
 - FREQUENCY RANGE: DC-6 GHz
 - DIELECTRIC WITHSTANDING VOLTAGE: 750V MAX AT SEA LEVEL
 - VSWR: ≤1.20:1
 - INSERTION LOSS: 0.25dB (MAX)

MODEL	1	2	3	4
XQY-MCXKWE-TB	BRASS	BERYLLIUM BRONZE	PTFE	BRASS
	GOLD PLATING	GOLD PLATING	/	GOLD PLATING
Accept custom sizes and styles				

- ENVIRONMENTAL:
 - TEMPERATURE RANGE: -55° to +125°

- MATERIAL AND FINISH:
 - INNER CONDUCTOR MATERIAL: BERYLLIUM BRONZE GOLD PLATING
 - INSULATOR: PTFE
 - EXTERNAL CONDUCTOR MATERIAL: BRASS GOLD PLATING

THIS DRAWING IS A CONTROLLED DOCUMENT		21/10/2021	Shenzhen xinqiyuan Technology Co., Ltd.									
		CHK										
DIMENSIONSMM		TOLERANCES UNLESS OTHERWISE SPECIFIED: ±0.1	NAME MCX Female RF Coaxial Connector Printed circuit board									
		Note: Dimensions (mm / [inch])	<table border="1"> <tr> <td>APVD</td> <td>---</td> <td>SIZE A4</td> <td>CAGE CODE 01021</td> <td rowspan="2">DRAWING NO XQY-MCXKWE-TB</td> </tr> <tr> <td>APPLICATION SPEC</td> <td>---</td> <td>WEIGHT</td> <td>---</td> </tr> </table>	APVD	---	SIZE A4	CAGE CODE 01021	DRAWING NO XQY-MCXKWE-TB	APPLICATION SPEC	---	WEIGHT	---
APVD	---	SIZE A4	CAGE CODE 01021	DRAWING NO XQY-MCXKWE-TB								
APPLICATION SPEC	---	WEIGHT	---									

4

3

2

1