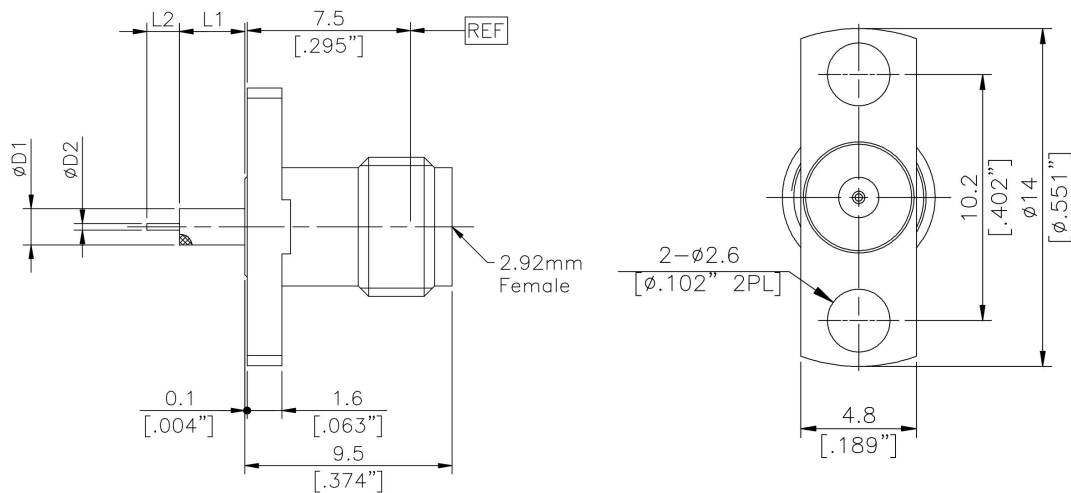


射频同轴连接器/ RF Coaxial Connector

XQY-29FP0503F05-M

项目 Project	指标 Indicators
产品名称 Product Name	射频同轴连接器/RF Coaxial Connector
频率范围 Frequency Range	DC-40 GHz
驻波比 VSWR	1.15:1 (max)
阻抗 Impedance	50 Ω
插入损耗 Insertion Loss	0.3 dB (max)
介质耐电压 Dielectric withstand voltage	500 V
使用寿命 Service life	≥500
绝缘电阻 Insulation Resistance	≥3000MΩ
接头类型 connector type	2.92mm-Female
工作温度 Operation Temperature	-55°C ~ +165°C
内导体材质 Inner conductor material	铍青铜 镀金 Beryllium bronze Gold plating
外导体材质 External conductor material	不锈钢 钝化 Stainless steel Passivated
绝缘体 Insulator	PEI / PTFE
连接器样式 Connector style	介质穿墙式连接器 Media Wall-through connector



注: 尺寸(mm/[英寸]), 一般公差(± 0.1)

Note: Dimensions (mm / [inch]), General tolerance (±0.1)